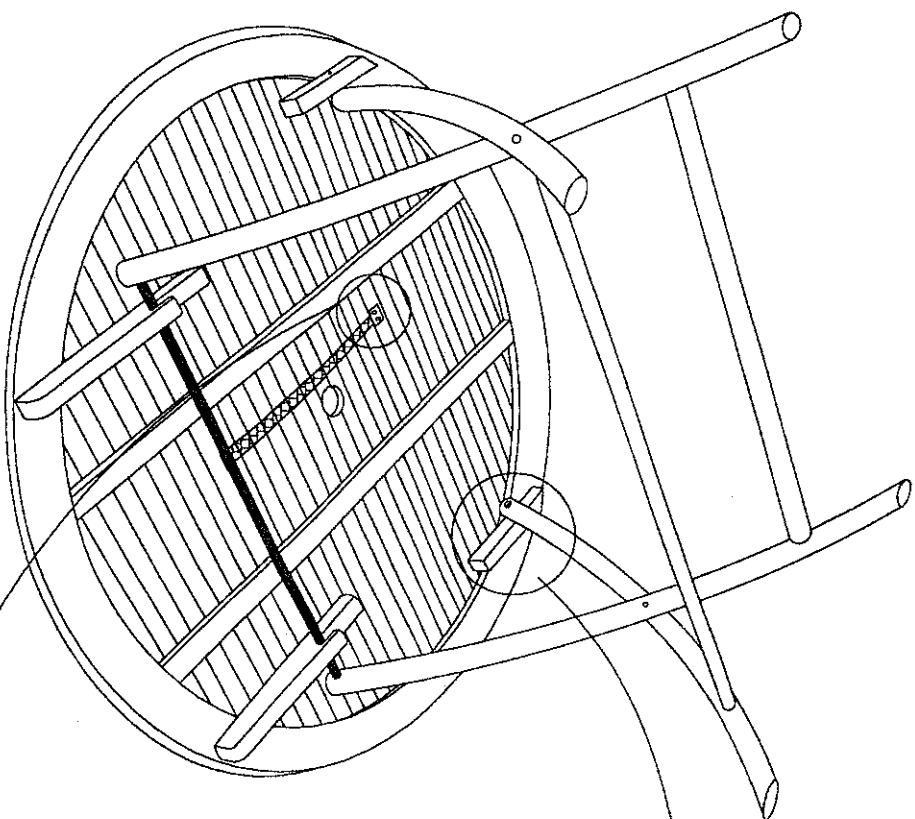
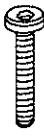



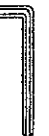


ASSEMBLY INSTRUCTION

259817/CH/06



a		2 pcs
b		2 pcs
c		2 pcs
d		2 pcs
e		2 pcs

CHT477