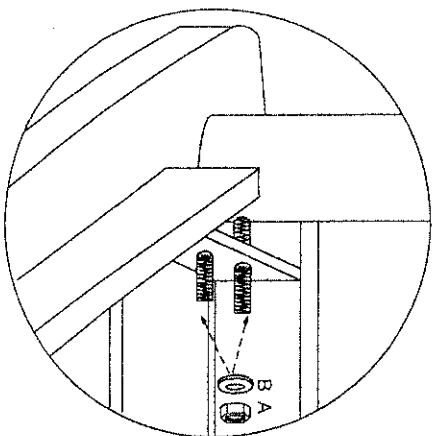
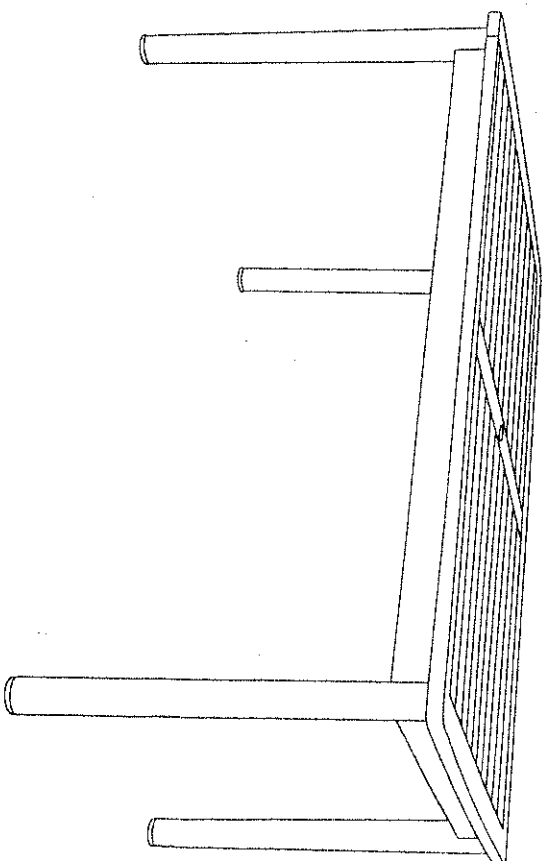
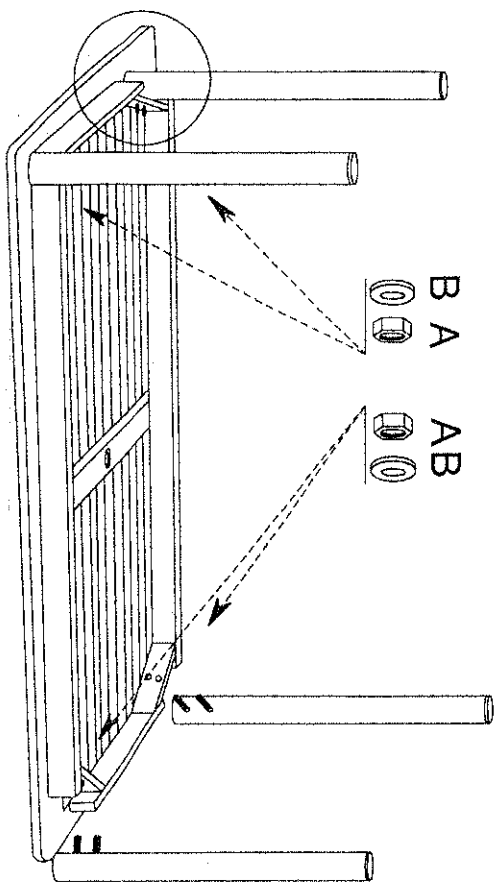
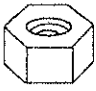



ASSEMBLY INSTRUCTION

259818/CH/06



A		8 pcs
B		8 pcs

CHT411